

# FLUIDIZED BEDS

**FOR GENEROUS AND PRODUCTIVE STUCCO APPLICATION THAT REQUIRES A LOT OF SAND MOVEMENT A FLUIDIZER BED IS JUST WHAT YOU NEED.**

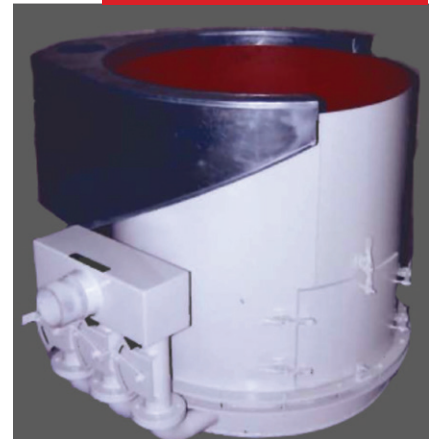
When it is time to fluidize your sand, attention to detail is very important. At Shell-O-Matic we have a database of over 140 sand types of various granulometry with recorded proper and tested blower arrangement to insure perfect sand fluidization. Just give us your sand parameter and the chances are good that we have experience in making a fluidizer with similar if not identical sand.

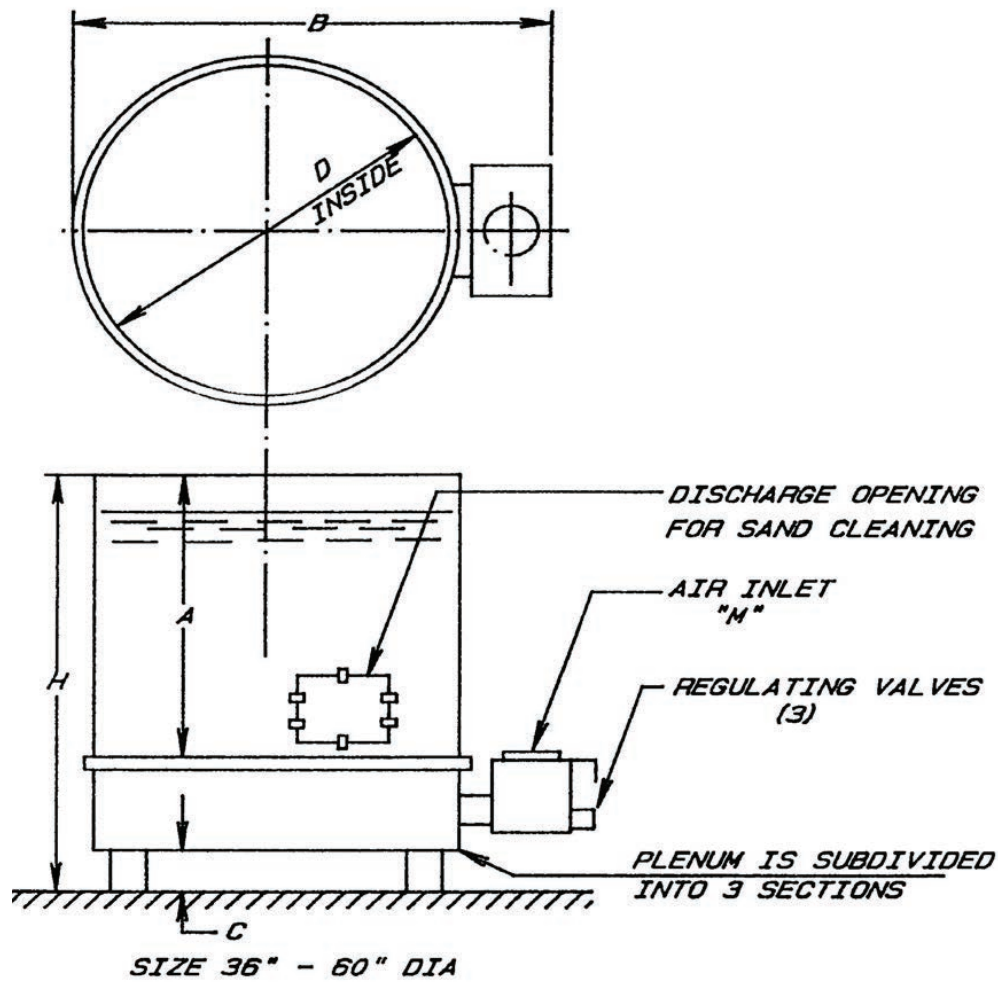


We have also engineered a dust collection system to insure toxic sand dust does not contaminate your environment. So far, Shell-O-Matic has delivered over 330 fluidized beds. With such experience we have engineered every little detail, like using the right porous material at the bottom of the fluidizer to ensure a uniform sand fluidization.

- » Perfect sand fluidization all the times.
- » Dust collection system.
- » Turnkey package with properly sized fluidized bed and blowers for your application.

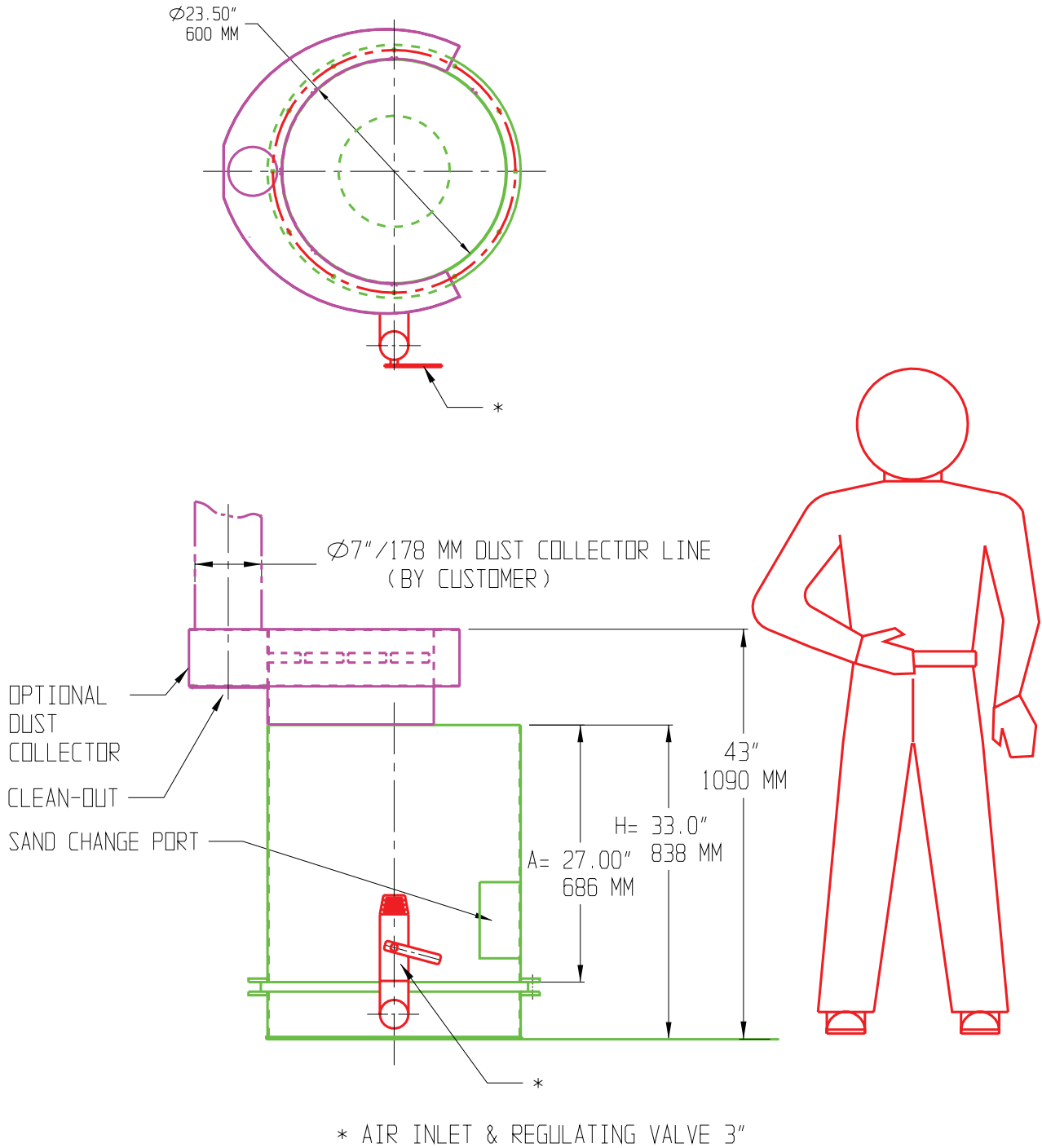
**Shown with optional  
Dust-Collection Collar**



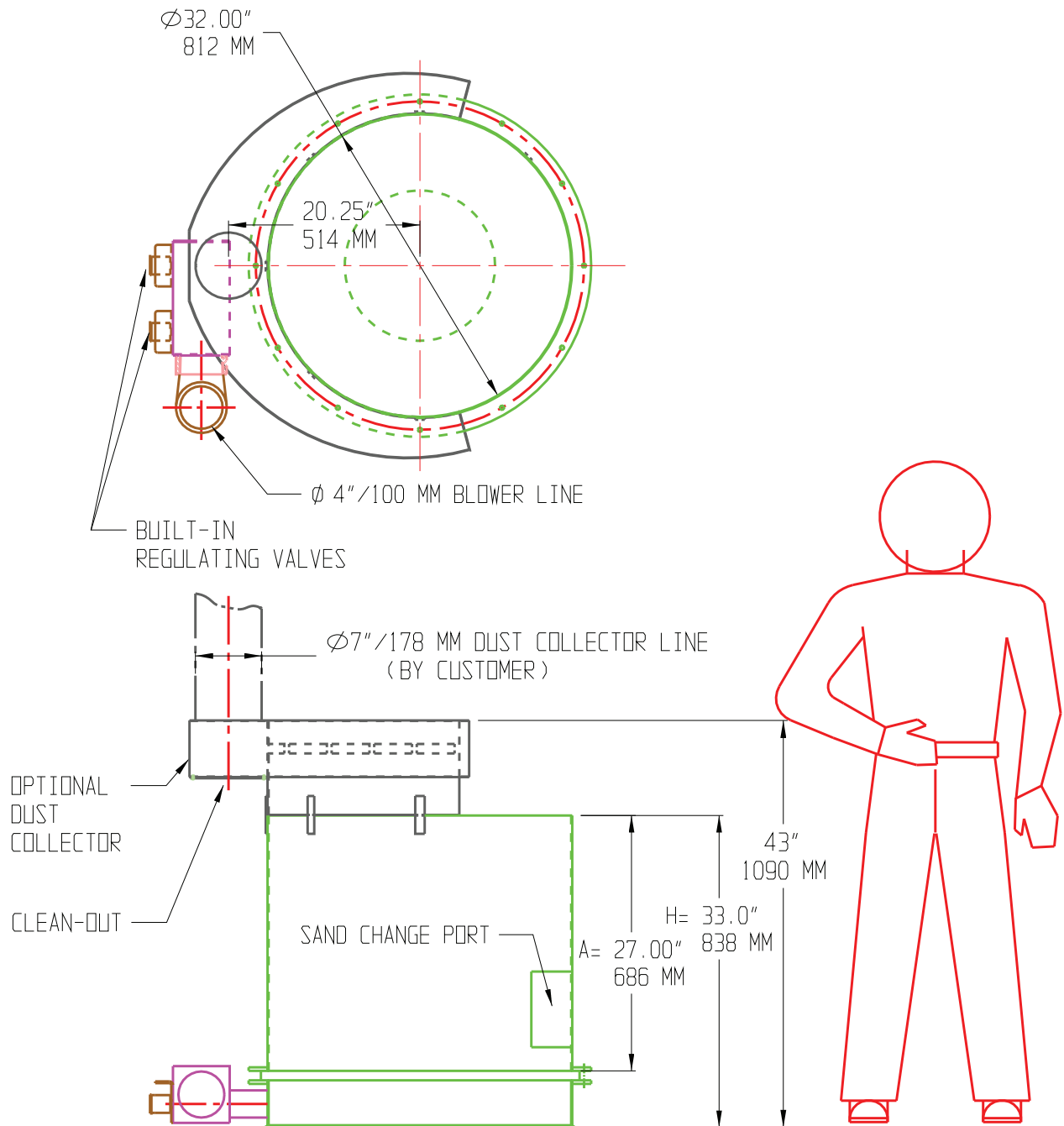


D	H	A	M	B	C
36" 915 mm	40" 1020 mm	32" 815 mm	4"	50.25" 1275 mm	-
40" 1015 mm	44" 1120 mm	32" 815 mm	4"	54.5" 1385 mm	4.5" 115 mm
45" 1145 mm	44" 1120 mm	32" 815 mm	5"	59.5" 1510 mm	4.5" 115 mm
50" 1270 mm	51" 1295 mm	37" 940 mm	6" (8")	68.5" 1740 mm	6.5" 165 mm
53" 1350 mm	51" 1295 mm	37" 940 mm	6" (8")	71.5" 1815 mm	6.5" 165 mm
60" 1525 mm	51" 1295 mm	37" 940 mm	6" (8")	78.5" 1995 mm	6.5" 165 mm

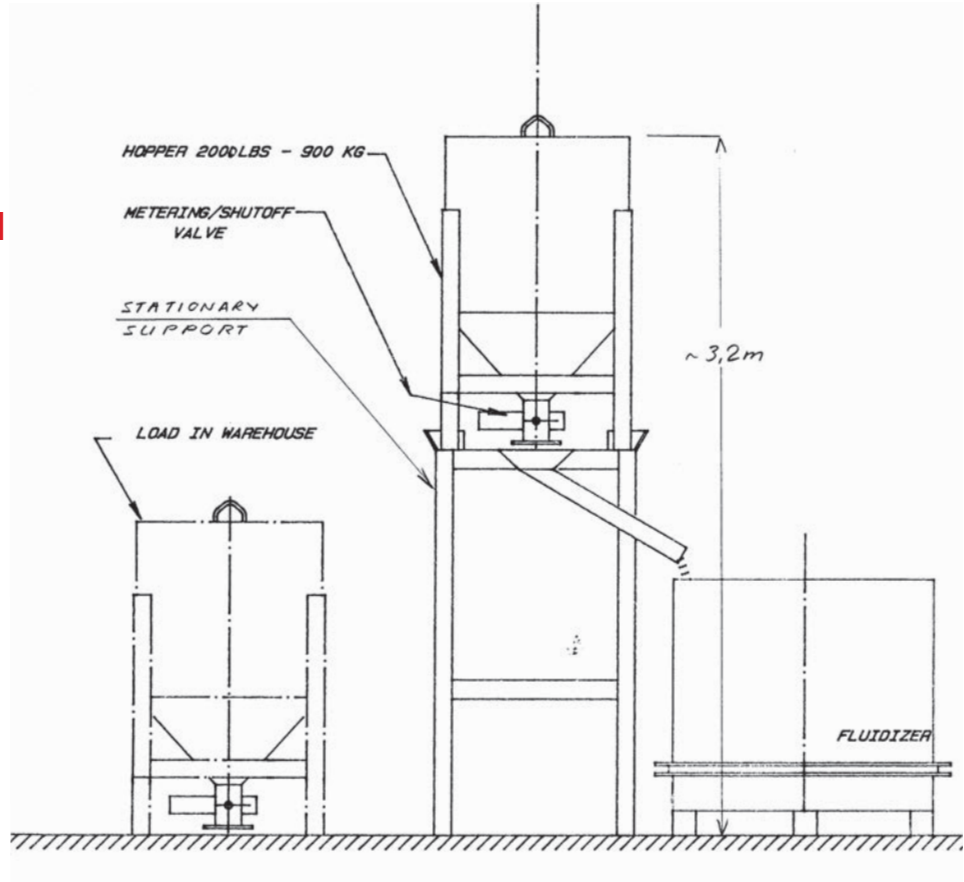
**FLUIDIZED BED 23.5" / 600 MM DIA.**



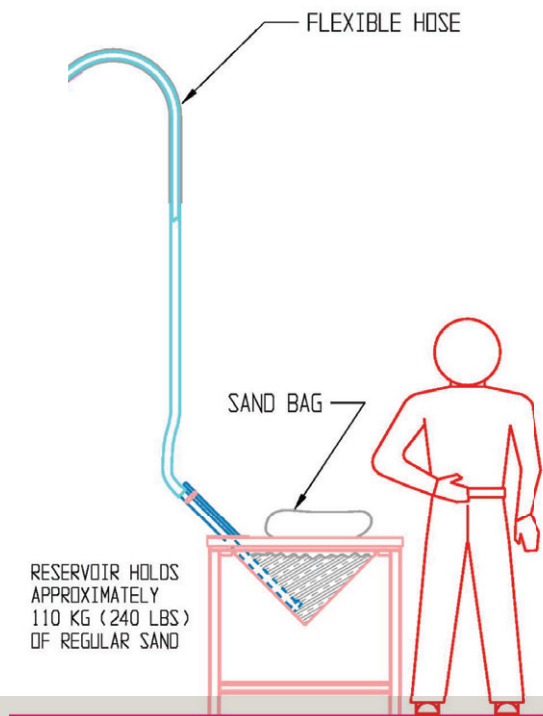
**FLUIDIZED BED 2-ZONES, 32"/812 MM DIA.**



**AUTOMATIC HOPPER FEEDER FOR SAND WITH LEVEL CONTROL SYSTEM**



**PNEUMATIC HOPPER FEEDER FOR SAND WITH LEVEL CONTROL SYSTEM**



## MEZZANINE SAND FEEDING SYSTEM A-22964

When an automated shell building line is producing, nobody likes to see it stop because a sander is out of sand.

This is why we can offer you many automatic replenishment solutions for your sanders. From the well-known gravity-fed system to more sophisticated pneumatic sand feeder, we can offer you standard systems or custom solutions for your more complex needs.

We have one goal in mind: maximize your equipment productivity.

- » Pneumatic or gravity-fed systems available
- » Solution can be tailored to your needs
- » Our specialists can adapt the systems to your specific sands
- » Can be fully automated

