

# SLURRY MIXING TANKS OPTIONS/VARIANTS

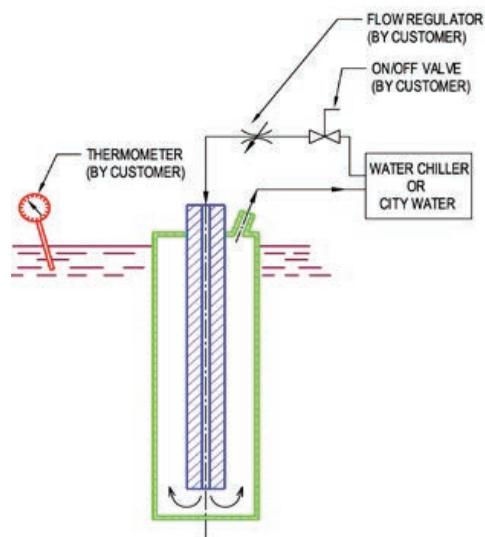
## VERY LARGE TANK

88"-2235 mm dia.

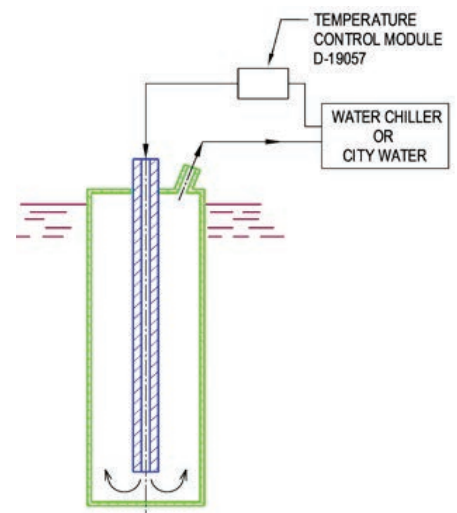
Mobile unit with on-board drive



**VACUUM  
SLURRY TANK**



**WATER COOLING  
MANUALLY CONTROLLED**



**WATER COOLING  
AUTOMATICALLY CONTROLLED**

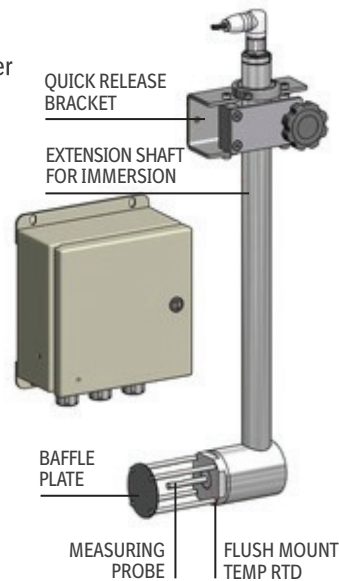
## SLURRY MIXING TANKS OPTIONS/VARIANTS

### VISCOMETER

The AST-100IPRI Viscometer is inserted into the slurry and outputs continuous measurement of viscosity and temperature. The instrument enables automatic viscosity control and improved quality assurance over cup method.

#### Benefits:

- » Correlates with lab viscometer and cup measurement
- » Enables continuous logging of viscosity and temperature
- » Alarms for “off-spec” slurry condition
- » Improves stucco coverage and optimizes drying time
- » Reduces cracking, excess metal, burn in and penetration
- » Minimizes operator involvement

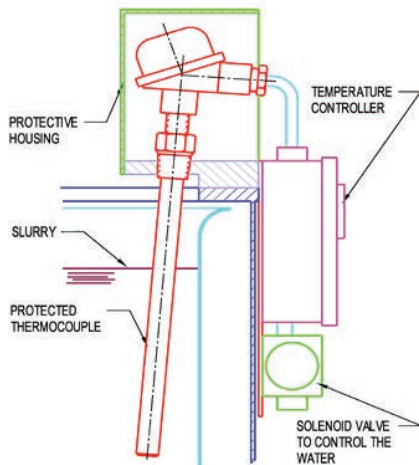


#### Features:

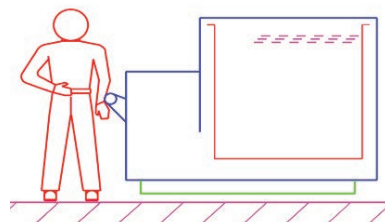
- » 316SS construction with baffle plate for abrasion protection
- » Easy cleanable design with no moving parts
- » Internal RTD eliminates slurry build up
- » Viscosity & temperature outputs as 4-20mA, RS-485 & RS-232
- » Fully tested for future QC checks

#### Options:

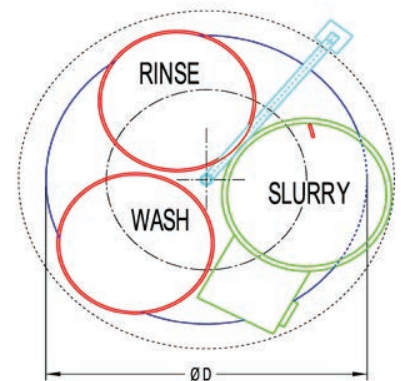
- » AST-310SY-420 controller for closed loop viscosity control
- » Quick release bracket for inspection and cleaning
- » Manual and wireless data logging options
- » 115VAC, 230VAC or 24vdc power input options



Water Cooling Control  
Module D-19057



Mobile Slurry Tank  
On Air Cushions



Turntable, Powered  
» Size 1 - 90”  
» Size 2 - 100”