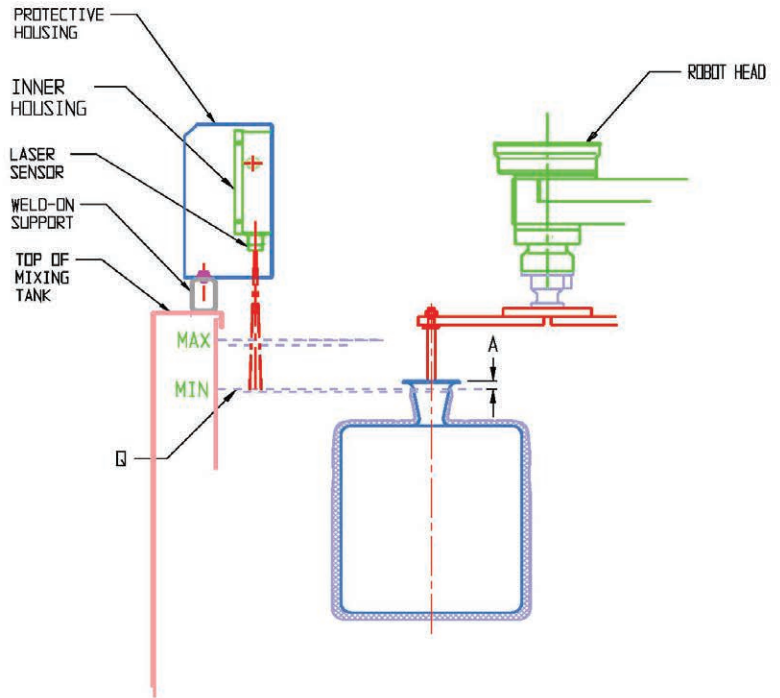
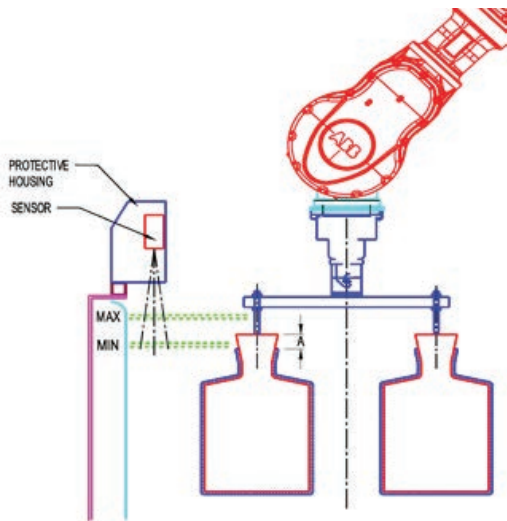


AUTOMATIC SLURRY LEVEL SENSING

The robot follows the slurry level and maintains a constant shell dimension "A".

When the minimum slurry level "Q" is reached, the robot will stop at the end of the cycle and give an alarm signal.

The operator then adds slurry to max. level (using a pump, by gravity or manually).



SLURRY LEVEL SENSOR



SLURRY TRANSFER PUMP